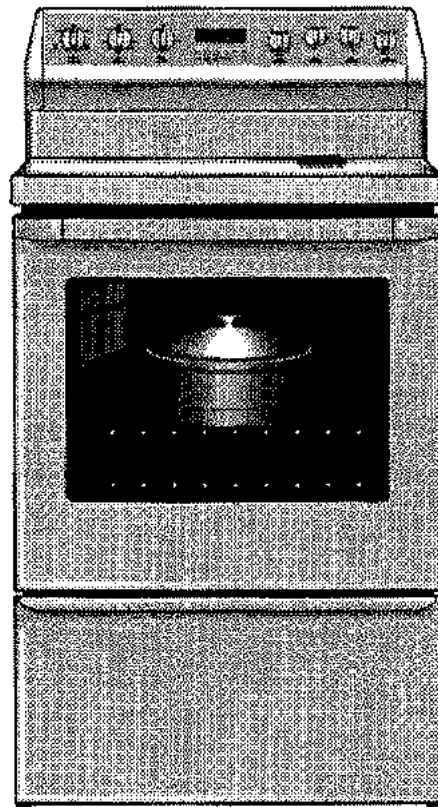


# SOFTLINE FREE STANDING RANGE

## MODELS RA610 SERIES

230 Volt 50 Hz



**517647**

December 1995

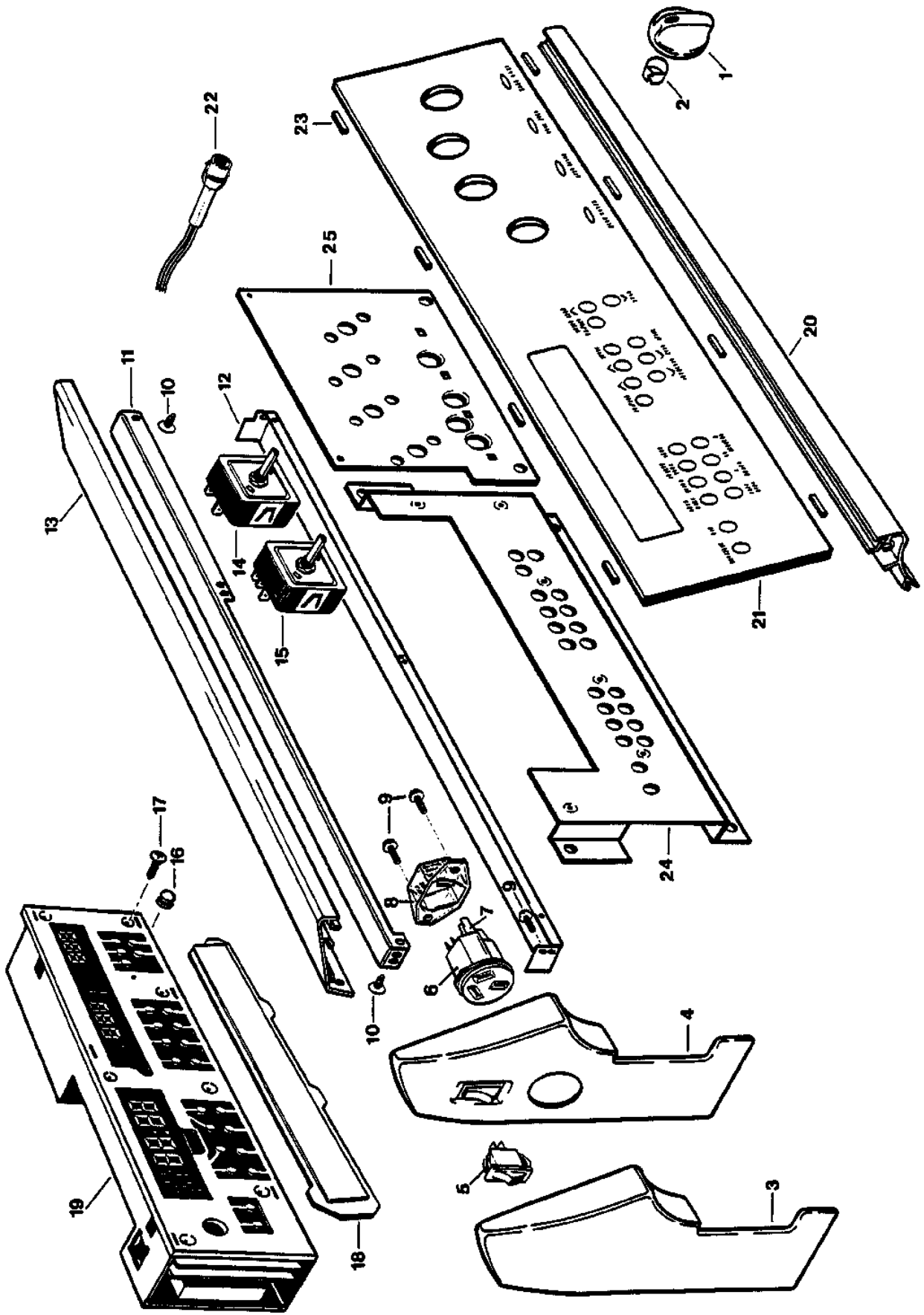
Fisher & Paykel Ltd  
Whiteware Spare Parts  
PO Box 58-732, Greenmount  
80 Springs Rd, East Tamaki  
New Zealand  
Tel: (09) 272 0261  
Fax: (09) 272 0219  
Email: [parts@fp.co.nz](mailto:parts@fp.co.nz)

Fisher & Paykel Customer Services Pty Ltd  
A.C.N. 003 3335 171  
19 Enterprise Street, Cleveland, QLD 4163  
PO Box 798,  
Cleveland, QLD 4163  
Phone 07 3826 9100  
Fax 07 3826 9164

COPYRIGHT © FISHER & PAYKEL LTD 2003

## C O N T E N T S

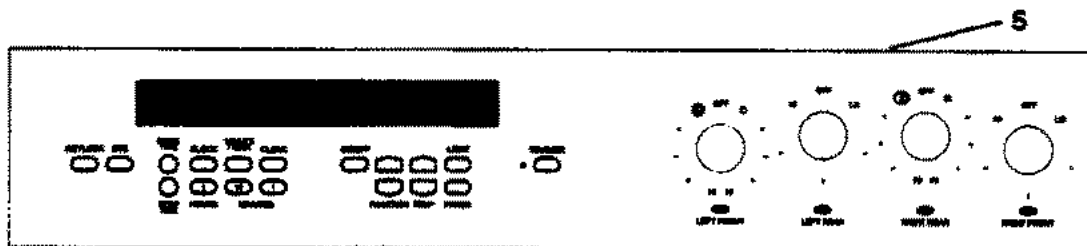
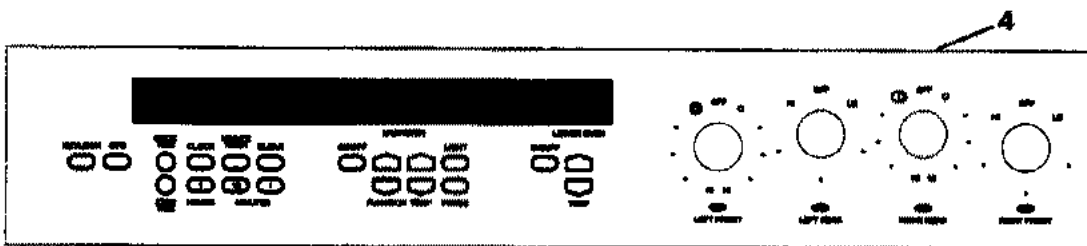
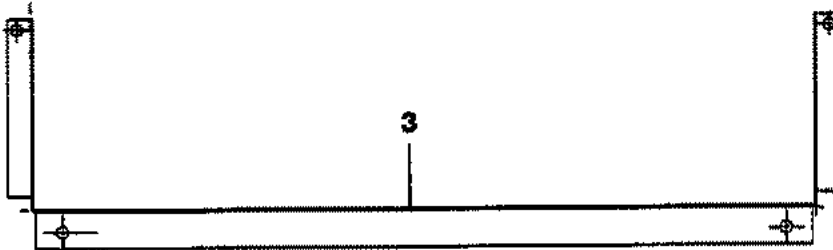
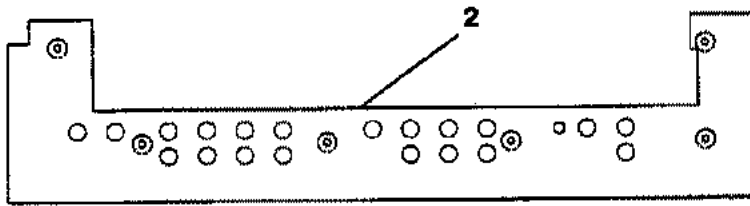
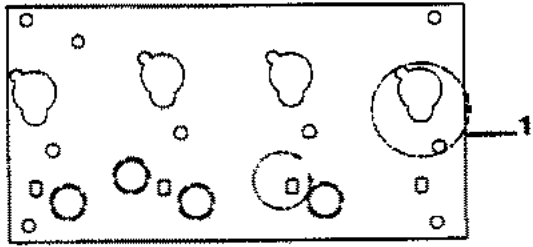
SPLASHBACK AREA – CURVED SOFT-TOUCH.....	5
MODELS RA610MTDS, RA610MTWS .....	5
SOFT TOUCH CONTROL PANEL & MOUNTING .....	7
MODELS RA610MTDS, RA610MTWS .....	7
CURVED SPLASHBACK AREA CLASSIC ANALOG / F&P ELECTRONIC CLOCK.....	9
MODELS RA610MADS, RA610MAWS, RA610MAD, RA610PAW, RA610AWP, RA610AW, RA610EDS, RA610EWS, RA610MED, RA610H, RA610MEW .....	9
CURVED SPLASHBACK AREA CLASSIC ANALOG / ELECTRONIC CLOCK.....	11
MODELS RA610MADS, RA610MAWS, RA610MAD, RA610PAW, RA610AWP, RA610AW, RA610MEDS, RA610MEWS, RA610MED, RA610H, RA610MEW .....	11
ELECTRONIC CONTROL PANEL & MOUNTING.....	13
MODELS RA610MEDS, RA610MEWS, RA610MED, RA610MEW .....	13
CLASSIC ANALOGUE CONTROL PANEL & MOUNTING.....	15
MODELS RA610MADS, RA610MAWS, RA610MAD, RA610PAW, RA610AWP, RA610AW, RA610H .....	15
SMOOTH TOP HOB.....	17
MODELS RA610MTDS, RA610MTWS, RA610MADS, RA610MAWS, RA610MEDS, RA610MEWS .....	17
RADIANT ELEMENT HOB .....	19
MODELS RA610MAD, RA610PAW, RA610MED, RA610MEW, RA610AWP, RA610AW, RA610H.....	19
MAIN OVEN DOOR AREA .....	21
MODELS RA610MTDS, RA610MTWS, RA610MADS, RA610MAWS, RA610MAD, RA610PAW, RA610MEDS, RA610MEWS, RA610MED, RA610MEW, RA610AWP, RA610AW, RA610H .....	21
LOWER OVEN DOOR AREA.....	23
MODELS RA610MTDS, RA610MADS, RA610MAWS, RA610MAD, RA610MEDS, RA610MED .....	23
SINGLE OVEN WITH WARMER DRAWER .....	25
MODELS RA610MTWS, RA610MAWS, RA610PAW, RA610MEWS, RA610MEW, RA610AWP, RA610AW, RA610H .....	25
WARMER DRAWER AREA.....	29
MODELS RA610MTWS, RA610AWS, RA610PAW, RA610MEWS, RA610MEW, RA610AWP, RA610AW, RA610H .....	29
DUAL OVEN AREA .....	31
MODELS RA610MTDS, RA610MADS, RA610MAD, RA610MEDS, RA610MED.....	31
ACCESSORIES.....	35
MODELS RA610MTDS, RA610MTWS, RA610MADS, RA610MAWS, RA610MAD, RA610PAW, RA610MEDS, RA610MEWS, RA610MED, RA610MEW, RA610AWP, RA610AW, RA610H.....	35



## SPLASHBACK AREA – CURVED SOFT-TOUCH

### MODELS RA610MTDS, RA610MTWS

REF	PART NO	DESCRIPTION
1	572424	Knob Assy White + Sirocco Insert D 0°
2	260160	Ring Compression Knob
3	572420	Endcap Splashback LH No Outlet White
	572421	Endcap Splashback RH No Outlet White
4	572232	Endcap Splashback LH White
	572233	Endcap Splashback RH White
5	571283	Switch Outlet White
6	572236	Outlet Socket Face Brown
	572204	Outlet Socket Face White
7	75220	Outlet Contact
8	572205	Outlet Socket Retainer
9	556012	Screw ST 1024 x ½ T23 HXW PH HS
10	556060	Screw ST 8 x ¼ TAB PH MS NIPL
11	572206	Rail Panel Control Mounting 6106 (Top)
12	572459	Rail Panel Control Mounting 6106 (Bottom)
13	572309	Splashback Top Trim 6106 White
14	471526	Energy Regulator Incl. MTG Nut
15	471443	Energy Regulator Dual Circuit
16	447582	Button Soft Touch White
17	556052	'screw 4 x 3/8 Plastic CSK PH NIPL
18*	572340	Insert Console Double Oven Part of item 21
	572341	Insert Console Single Oven Part of item 21
19	572323	Controller Console Assy 662XD & 664XDS
	572245	Controller Console Assy 661TW & 663TWS
20	572311	Splashback LWR Trim 6106 White
21		Refer Page 6
22	572684	Neon Assy 180mm SGF
23	572619	Gasket splashback Anti Rattle
24		Refer Page 6
25		Refer Page 6



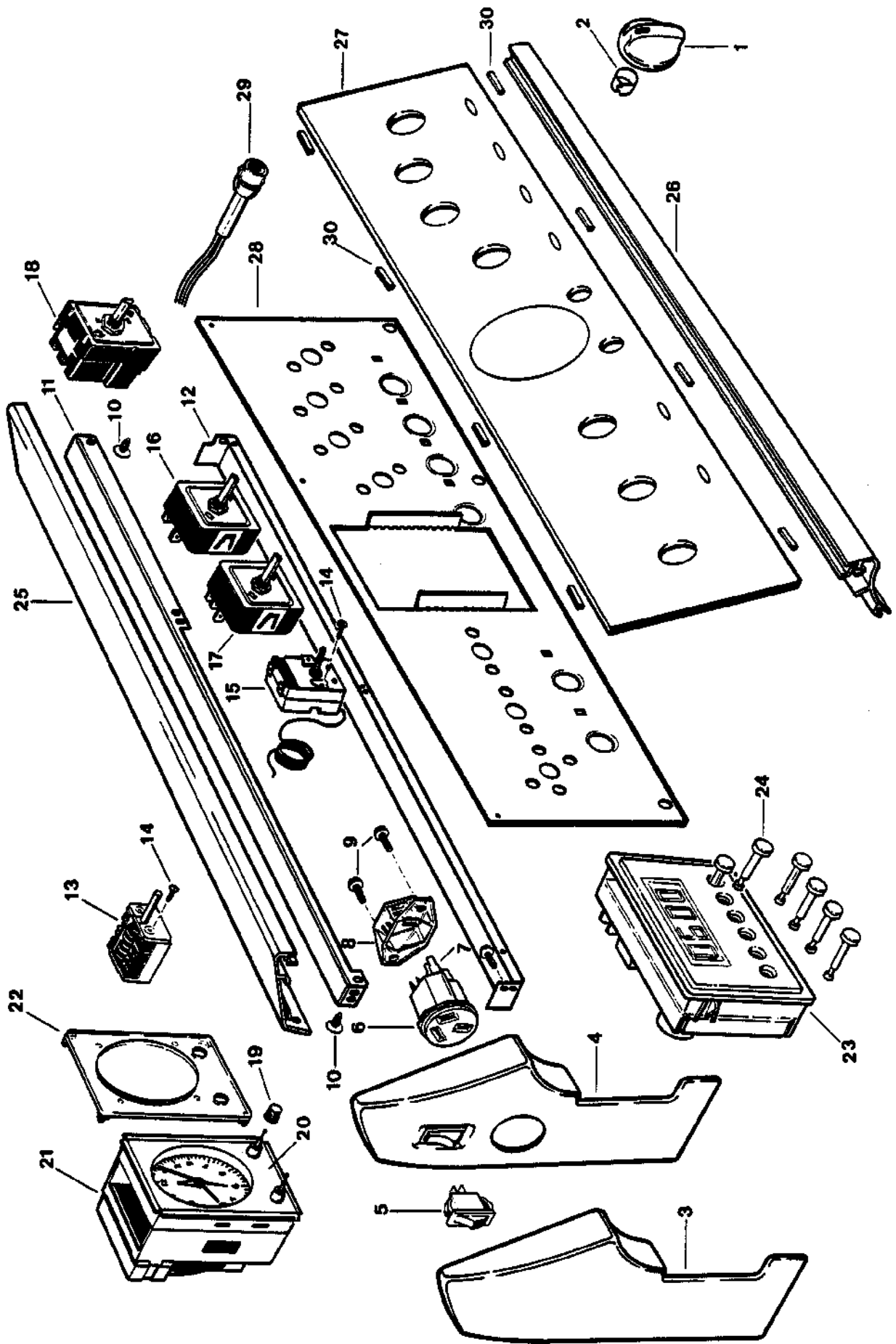
## SOFT TOUCH CONTROL PANEL & MOUNTING

### MODELS RA610MTDS, RA610MTWS

REF	PART NO	DESCRIPTION
1	572314	Panel Control Mounting Energy Regulator
2	572584	Panel Control Mounting Electronic Polycarbonate
3	572583	Bracket Soft Touch Mounting
4	572343	Panel Control & Lense WH RA610MTWS
5	572342	Panel Control & Lense WH RA610MTDS

**NOTE:**

The number printed on the polycarbonate control panels under the control knob is **NOT** the part number for the replacement control panel.

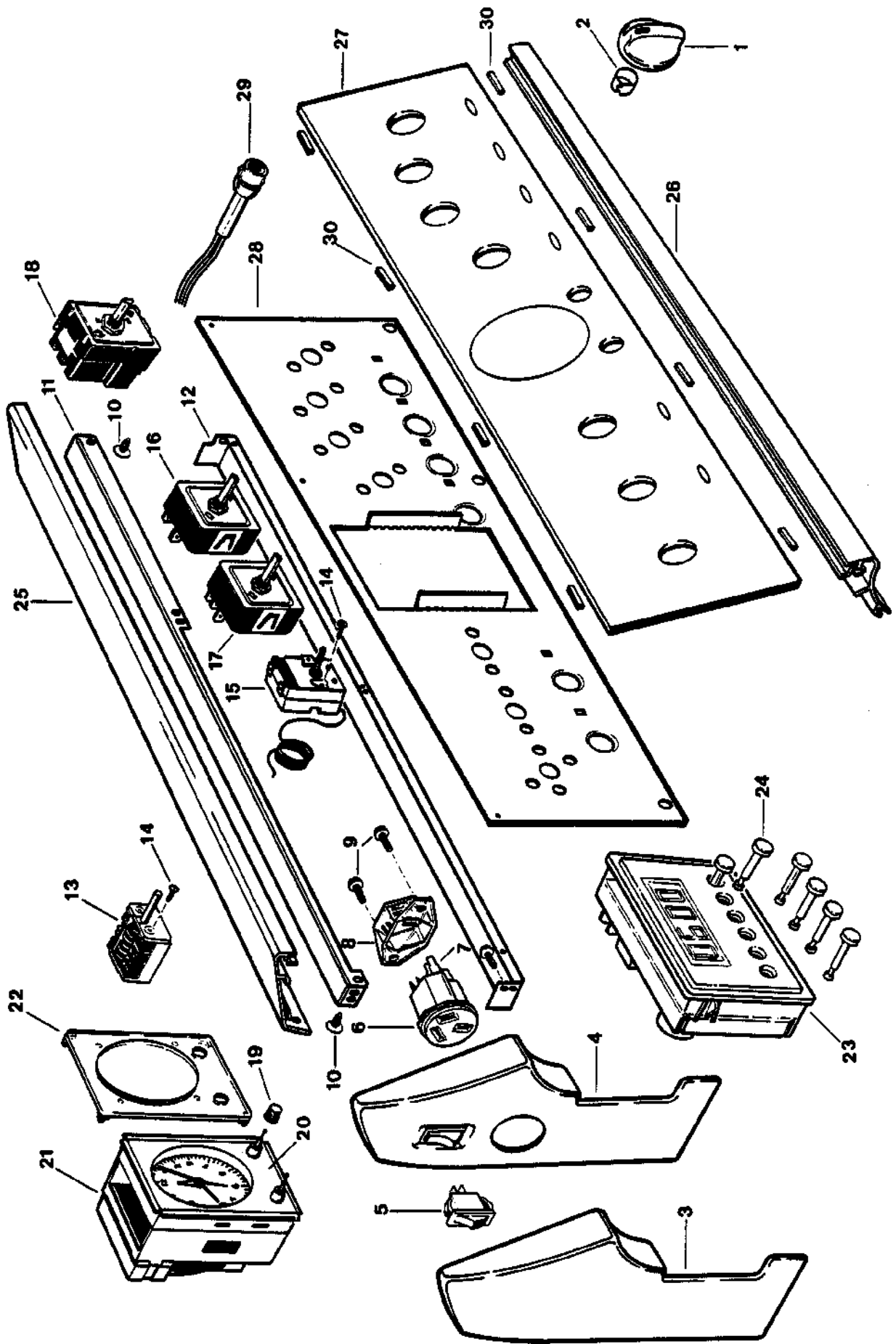




## CURVED SPLASHBACK AREA CLASSIC ANALOG / F&P ELECTRONIC CLOCK

**MODELS RA610MADS, RA610MAWS, RA610MAD, RA610PAW, RA610AWP,  
RA610AW, RA610EDS, RA610EWS, RA610MED, RA610H, RA610MEW**

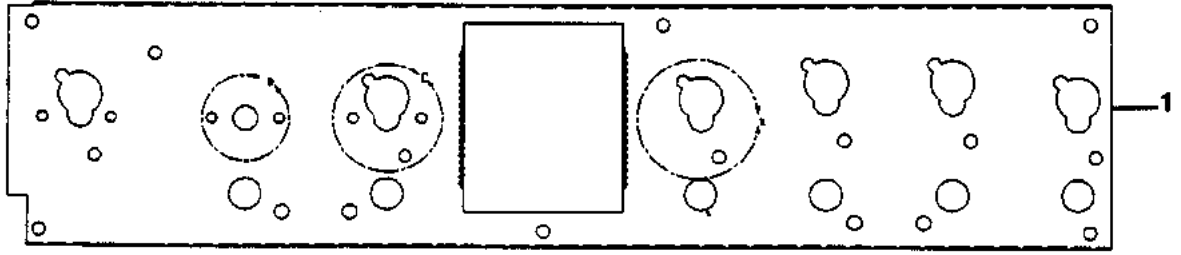
REF	PART NO	DESCRIPTION
1	572424	Knob Assy White + Sirocco Insert D 0°
	572425	Knob Assy Brown + Sirocco Insert D 0°
2	260160	Ring Compression Knob
3	572421	Endcap Splashback RH White No Outlet
	572420	Endcap Splashback LH White No Outlet
4	572233	Endcap Splashback RH White
	572234	Endcap Splashback LH Brown
	572235	Endcap Splashback RH Brown
	572232	Endcap Splashback LH White
5	572392	Switch Outlet Brown
	571283	Switch Outlet White
6	572236	Outlet Face Brown
	572204	Outlet Face White
7	75220	Outlet Contact
8	572205	Outlet Socket Retainer
9	556012	Screw ST 1024 x ½ T23 HXW PH HS
10	556060	Screw ST 8 x ¼ TAB MSH PH HS NIPL
11	572206	Rail Panel Control Mounting 6106 Top
12	572459	Rail Panel Control Mounting 6106 Bottom
13	572242	Switch Classic Multifunction EGO 46.37966.503
14	556020	Screw MC M4 x 5 PAN PH MS NIPL
15	571071	Thermostat EGO
16	471526	Energy Regulator Incl. MTG Nut
17	471443	Energy Regulator Dual Circuit
18	471026	Rotary Switch NZC TR205
19	572284	Knob Analog Clock White
	572286	Knob Analog Clock Brown



## CURVED SPLASHBACK AREA CLASSIC ANALOG / ELECTRONIC CLOCK

**MODELS RA610MADS, RA610MAWS, RA610MAD, RA610PAW, RA610AWP,  
RA610AW, RA610MEDS, RA610MEWS, RA610MED, RA610H, RA610MEW**

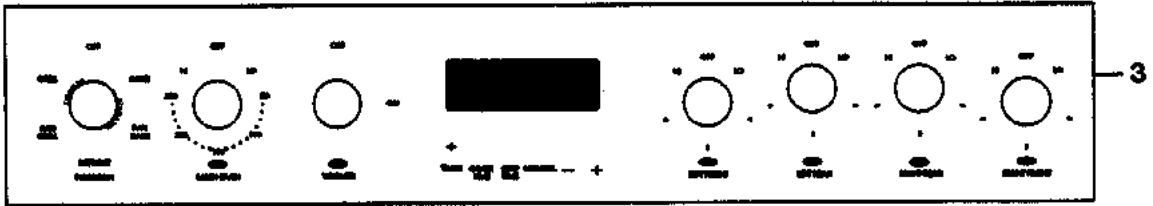
REF	PART NO	DESCRIPTION
20	572197	Insert Analog Clock Black
	572196	Insert Analog Clock White
21	572237	Clock Analog Diehl Classic White
	572238	Clock Analog Diehl Classic Black
22	572198	Cover Analog Clock
23	572642	Clock Electronic Diehl Orbit Six
24	572671	Button Clock Diehl
25	572309	Splashback Top Trim 6106 White
	572310	Splashback Top Trim 6106 Brown
26	572311	Splashback LWR Trim 6106 White
	572312	Splashback LWR Trim 6106 Brown
27		MED/MEW/MEDS Models Refer Page 12 ADS-AWS Models Refer Page 14
28		MED MEW MEDS EWR Models Refer Page 12 ADS-AWS Models Refer Page 14
29	572684	Neon Assy 180mm SGF
30	572618	Gasket Splashback Glass
	572619	Gasket Splashback Polycarbonate
NI	556018	Screw MC M4 x 8 HEX PH MS NIPL



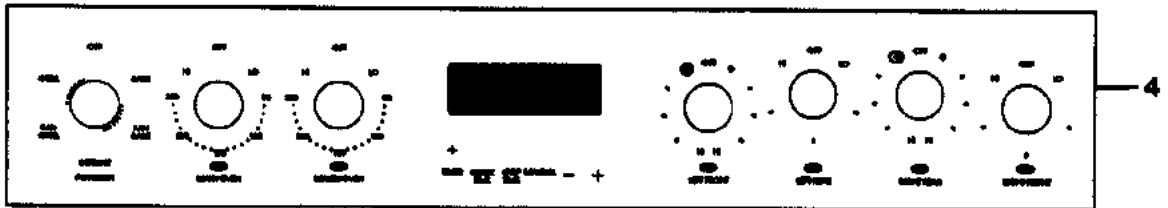
PARTEMS PART NO 07260



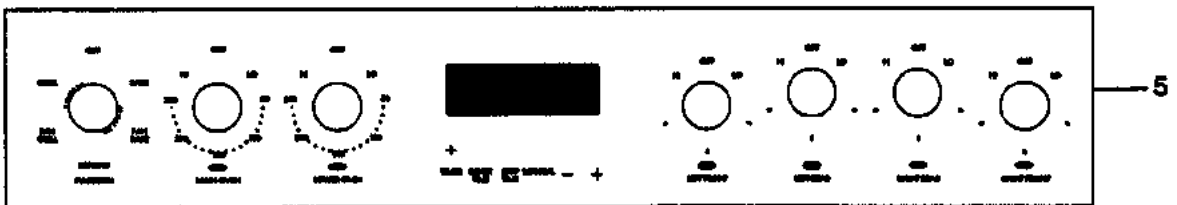
PARTEMS PART NO 07261



PARTEMS PART NO 07262



PARTEMS PART NO 07267



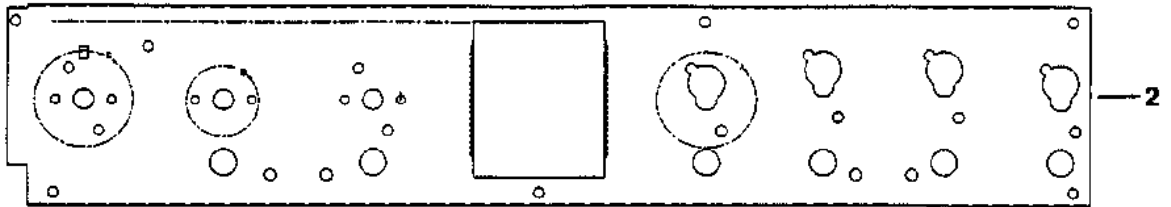
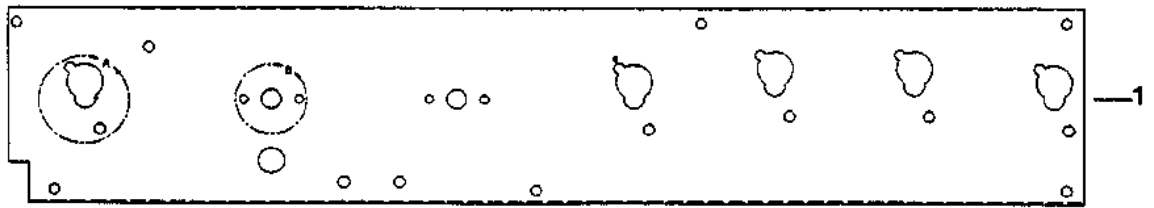
## ELECTRONIC CONTROL PANEL & MOUNTING

### MODELS RA610MEDS, RA610MEWS, RA610MED, RA610MEW

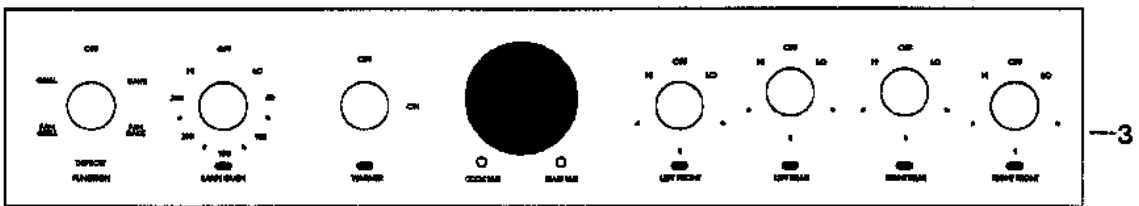
REF	PART NO	DESCRIPTION
1	572765	Panel Control Mounting MEW-MED Models
2	572645	Panel Control WH Polycarbonate MEWS Models
3	572649	Panel Control WH Polycarbonate MEW Models
4	572643	Panel Control WH Polycarbonate MEDS Models
5	572647	Panel Control WH Polycarbonate MED Models

**NOTE:**

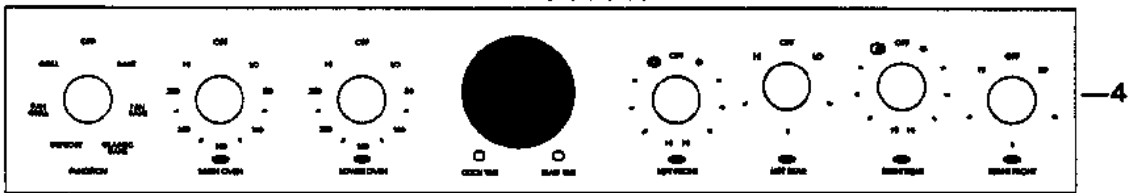
The number printed on the polycarbonate control panels under the control knob is **NOT** the part number for the replacement control panel.



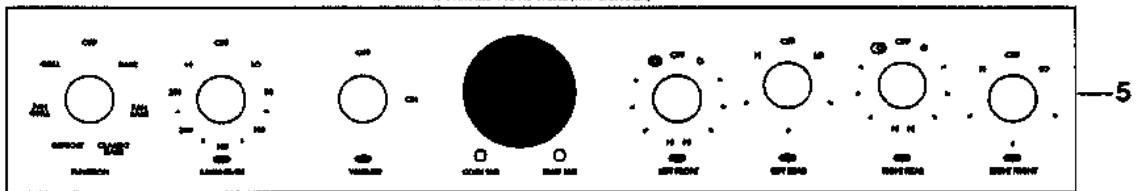
RA610 (DAN PART NO 672627)



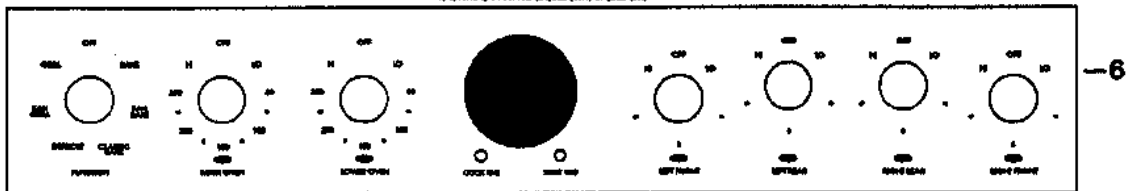
RA110 (MANS PART NO 67200 (MNS 67201) BR)



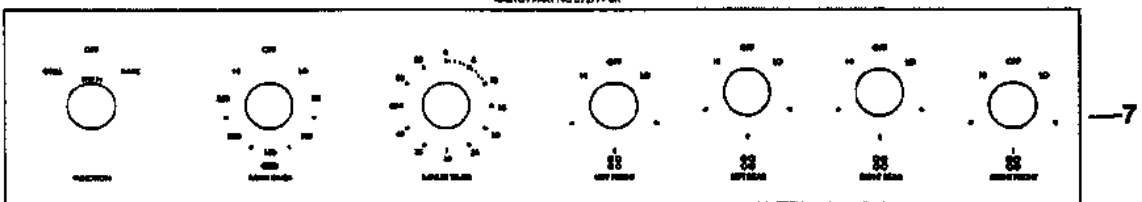
RA110 (MANS PART NO 67202 (MNS 67203) BR)



RA110 (MANS PART NO 67204 (MNS 67205) BR)



RA110 (MANS PART NO 67279 BR)



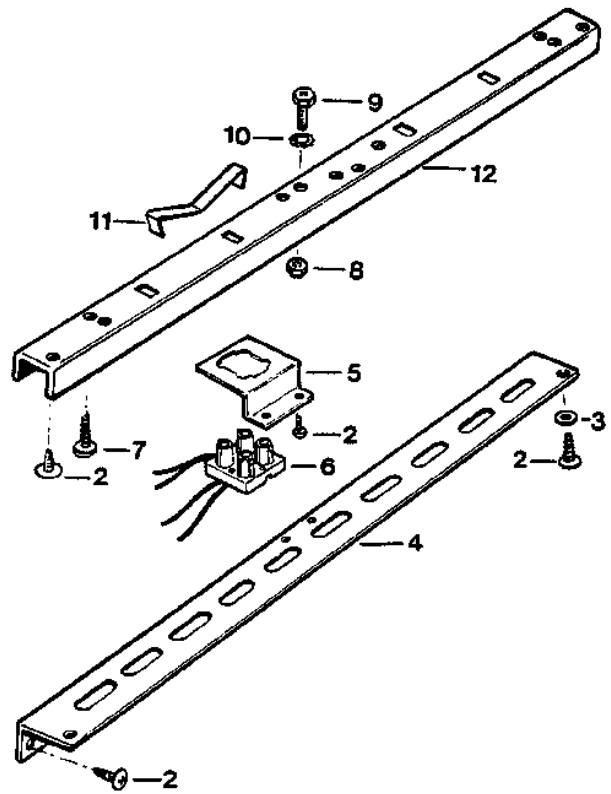
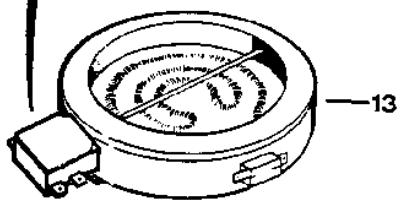
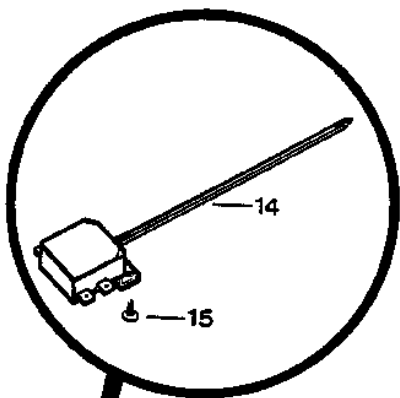
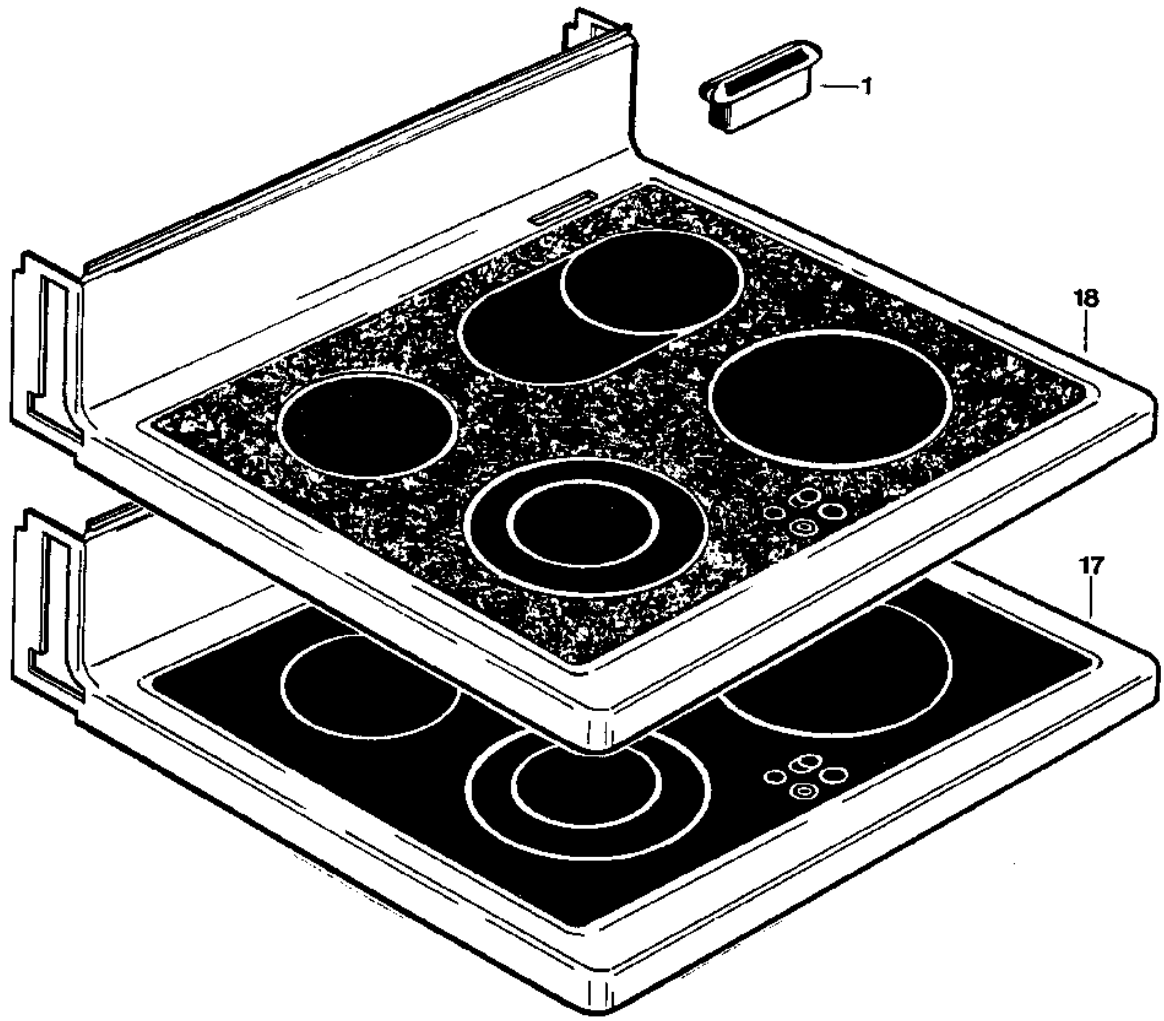
## CLASSIC ANALOGUE CONTROL PANEL & MOUNTING

MODELS RA610MADS, RA610MAWS, RA610MAD, RA610PAW, RA610AWP,  
RA610AW, RA610H

REF	PART NO	DESCRIPTION
1	572767	Panel Control Mounting H
2	572762	Panel Control Mounting MADS MAWS MAD PAW AWP AW
3	572774	Panel Control Polycarbonate WH Models AW AWP
	572775	Panel Control Polycarbonate BR Models AW AWP
	572628	Panel Control Polycarbonate WH Model PAW
4	572300	Panel Control Glass WH Models MADS
	572301	Panel Control Glass BR Models MADS
5	572302	Panel Control Glass WH Models MAWS
	572303	Panel Control Glass BR Models MAWS
6	572304	Panel Control Glass WH Models MAD
	572305	Panel Control Glass BR Models MAD
	572306	Panel Control Glass WH Models MAW
	572307	Panel Control Glass BR Models MAW
7	572778	Panel Polycarbonate WH Model H

### NOTE:

The number printed on the polycarbonate control panels under the control knob is **NOT** the part number for the replacement control panel.

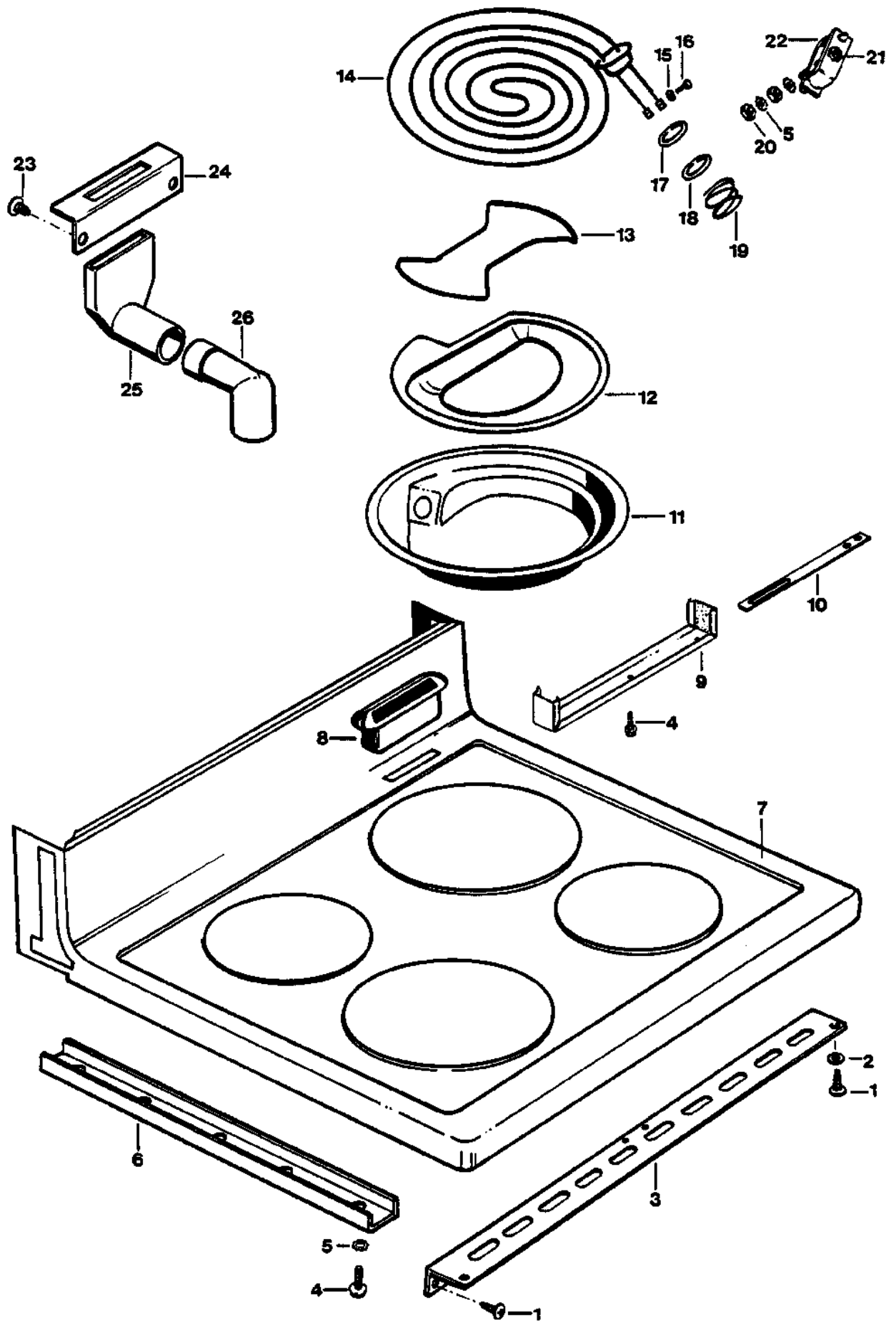




## SMOOTHTOP HOB

MODELS RA610MTDS, RA610MTWS, RA610MADS, RA610MAWS, RA610MEDS,  
RA610MEWS

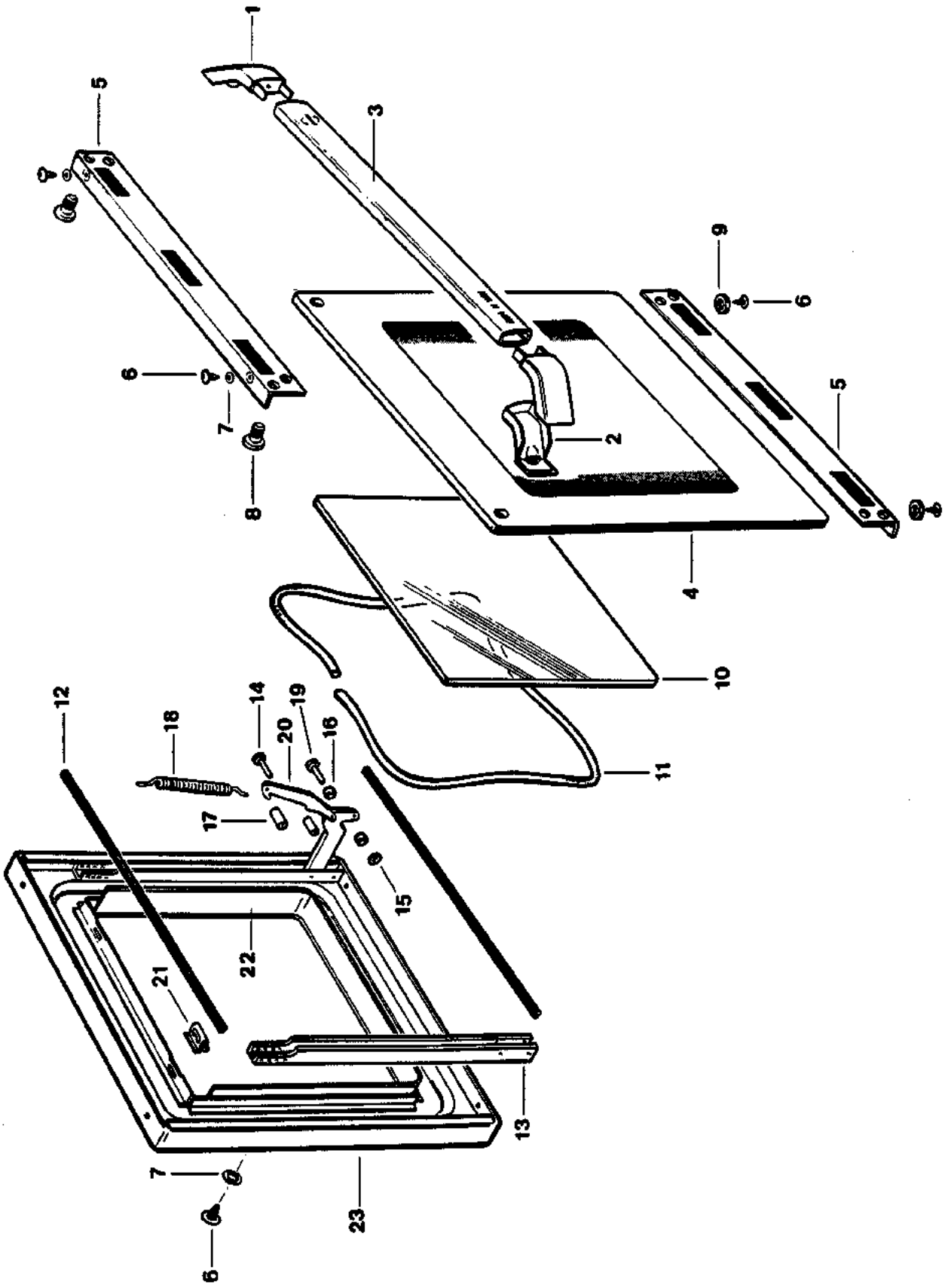
REF	PART NO	DESCRIPTION
1	572395	Vent Cap Brown
2	556011	Screw ST 8 x 12mm TAB MTS PH HS NIPL
3	556504	Washer 4.0 x 10.0 x 0.4 Fibre
4	471879	Trim Oven – Hob 610 Brown
5	571933	Bracket Heat Indicator Mounting
6	355567	Neon Assy Residual Heat Indicator
7	556028	Screw ST 6 x ¾ TAB PAB PH HS NIPL
8	556104	Nut M4 HEX FS MS NIPL
9	556018	Screw MC M4 x 8 HEX PH MS NIPL
10	556513	Washer Lock 5/32 EXT SERR ST Blued
11	355533	Spring Element Retainer
12	571786	Retainer Element Smoothtop 6105
13	355591	Element Assy 165mm Smoothtop
	355592	Element Assy 200mm Smoothtop
	355556	Element Assy 120/210mm Smoothtop
	355557	Element Assy 165/270mm Smoothtop
14	355669	Limiter O/Heat 165mm Element
	355670	Limiter O/Heat 200mm Element
	355671	Limiter O/Heat 120-210mm Element
	355669	Limiter O/Heat 165-270mm Element
15		Part of Item 14
16		Not used
17	572534	Hob & Glass Assy 6106 Rings Non Textured
18	572533	Hob & Glass Assy 6106 Textured



## RADIANT ELEMENT HOB

**MODELS RA610MAD, RA610PAW, RA610MED, RA610MEW, RA610AWP, RA610AW, RA610H**

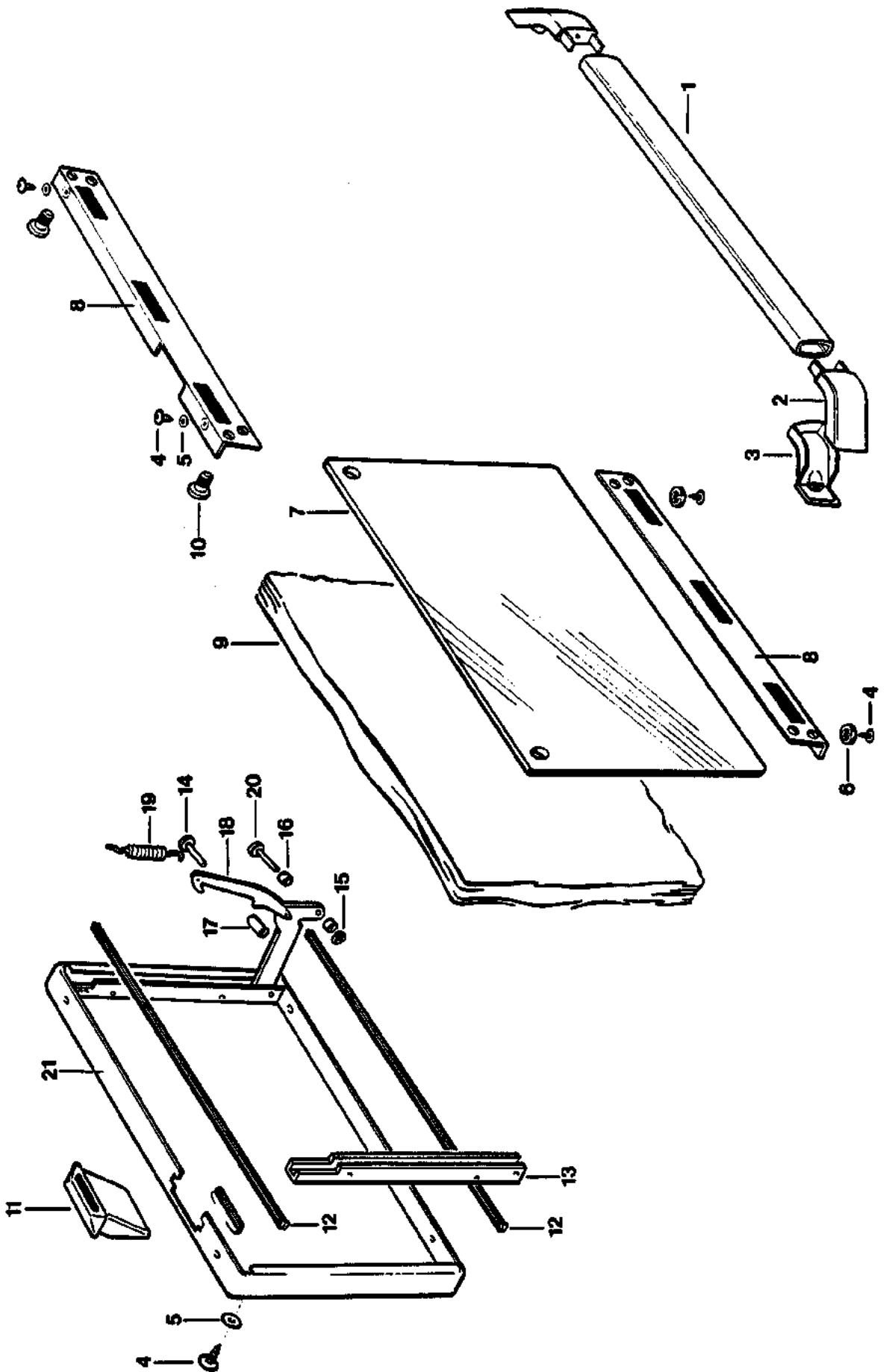
REF	PART NO	DESCRIPTION
1	556011	Screw ST 8 x 12 TAB MTS PH HS NIPL
2	556504	Washer 4.0 x 10.0 x 0.4 Fibre
3	471879	Trim Oven – Hob 610 DK Brown
4	556012	Screw ST 1024 x ½ T23 HXW PH HS
5	556511	Washer Lock 3/16 EXT SERR ST BLU
6	461222	Channel Hob Reinforcement
7	571003	Hob Enamel Radiant Brown
8	572395	Vent Cap Brown
9	571861	Bridge Element 150mm
	571862	Bridge Element 200mm
10	571925	Strap Earthing
11	998551	Bowl Element 150mm (incl. items 4, 9, 10)
	998550	Bowl Element 200mm (incl. items 4, 9, 10)
12	571831	Liner Bowl 200mm
	571833	Liner Bowl 150mm
13	571032	Support Element 150mm
	571033	Support Element 200mm
14	83287	Element 150mm (Blow)
	83288	Element 200mm (Calm)
	998549	Bowl & Element Assy 150mm
	998548	Bowl & Element Assy 200mm
15	556513	Washer Lock 5/32 EXT SERR ST BLU
16	556018	Screw MC M4 x 8 HEX PH MS NIPL
17	471947	Washer Sealing
18	471948	Washer Thrust
19	471949	Spring Element
20	556104	Nut M4 HEX FS MS NIPL
21	556040	Screw MC M4 x 20 HEX PH MS NIPL
22	471951	Clamp Element Tails (2 per element)
23	556009	Screw ST 8x 3/8 TAB MSH PH HS NIP
24	572127	Bracket Vent
25	572125	Vent Transition
26	572126	Vent Elbow



## MAIN OVEN DOOR AREA

**MODELS RA610MTDS, RA610MTWS, RA610MADS, RA610MAWS, RA610MAD, RA610PAW, RA610MEDS, RA610MEWS, RA610MED, RA610MEW, RA610AWP, RA610AW, RA610H**

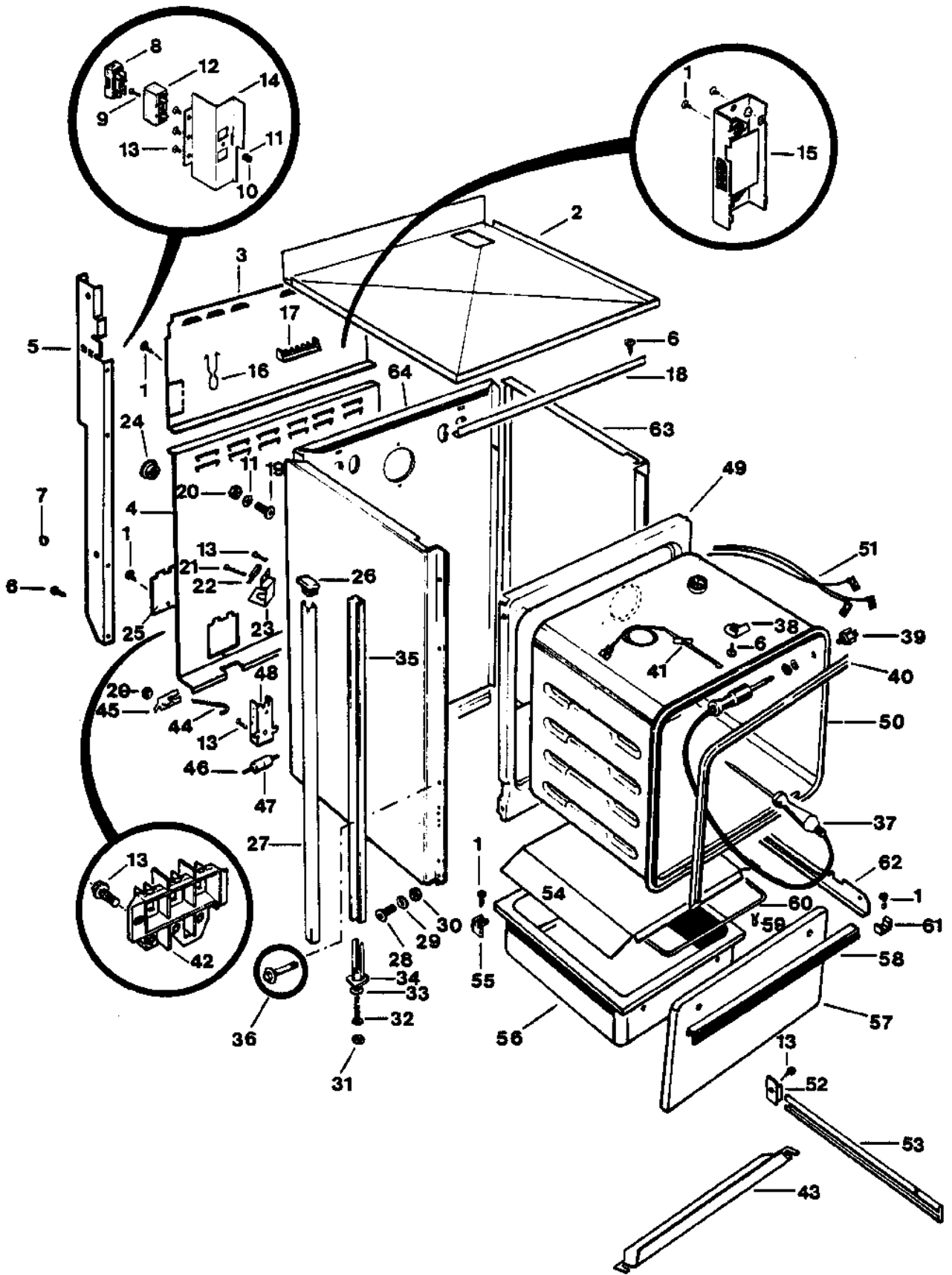
<b>REF</b>	<b>PART NO</b>	<b>DESCRIPTION</b>
1	572230	Endcap Handle Curved Brown
	572231	Endcap Handle Curved White
2	572226	Grommet Endcap Curved Brown
	572227	Grommet Endcap Curved White
3	572451	Handle Curved F&P BR
	572478	Handle Curved F&P Classic BR
	572432	Handle Curved F&P Multi BR
	572375	Handle Curved F&P Multi WH
	572376	Handle Curved F&P WH
	572477	Handle Curved F&P Classic WH
	572476	Handle Curved F&P Soft Touch WH
4	572169	Glass Door Outer 3 Piece Handle White
	572170	Glass Door Outer 3 Piece Handle Brown
5	572093	Bracket Inner Door
6	556034	Screw ST 8 x 8mm TAB MTS PH HS NIPL
7	556504	Washer 4.0 x 10.0 x 0.4 Fibre
8	572710	Screw Limit Handle Door
9	75321	Shield Screw Head
10	572113	Glass Door Inner 610 Heat Reflect
11	572240	Gasket Window 1.600m
12	572241	Gasket Door 0.590m
13	471009	Hinge Track
14	471008	Hinge Pin Roller
15	260162	Fastener Push on 6mm SFO2985
16	74143	Spacer Hinge
17	74145	Hinge Roller
18	471150	Spring Door Oven
19	471007	Hinge Pin
20	471043	Hinge Slide Arm Assy
21	571733	Clip Window Pack 610
22	572408	Trim Window Powder Coated
23	572239	Door Inner Enamel 6106 DK Brown



## LOWER OVEN DOOR AREA

MODELS RA610MTDS, RA610MADS, RA610MAWS, RA610MAD, RA610MEDS,  
RA610MED

REF	PART NO	DESCRIPTION
1	572219	Handle Curved 6106 White
	572220	Handle Curved 6106 Brown
2	572231	End Cap Curved White
	572230	End Cap Curved Brown
3	572227	Grommet Endcap Curved White
	572226	Grommet Endcap Curved Brown
4	556034	Screw ST 8 x 8 TAB MTS PH HS NIPL
5	556504	Washer 4.0 x 10.0 x 0.4 Fibre
6	75321	Shield Screw Head
7	572175	Glass Door Handle LWR 3 Piece White
	572176	Glass Door Handle LWR 3 Piece Brown
8	572509	Bracket Inner Door Lower 6106
9	471045	Insulation
10	572710	Screw Limit Handle Door
11	572046	Vent Lower Oven Brown
12	572241	Gasket Door 0.590m
13	471010	Hinge Track Lower
14	471008	Hinge Pin Roller
15	260162	Fastener Push on 6mm SFO2985
16	74143	Spacer Hinge
17	74145	Hinge Roller
18	471043	Hinge Slide Arm Assy
19	471384	Spring Door Lower Oven
20	471007	Hinge Pin
21	572352	Door Inner Lower Enamel DK Brown

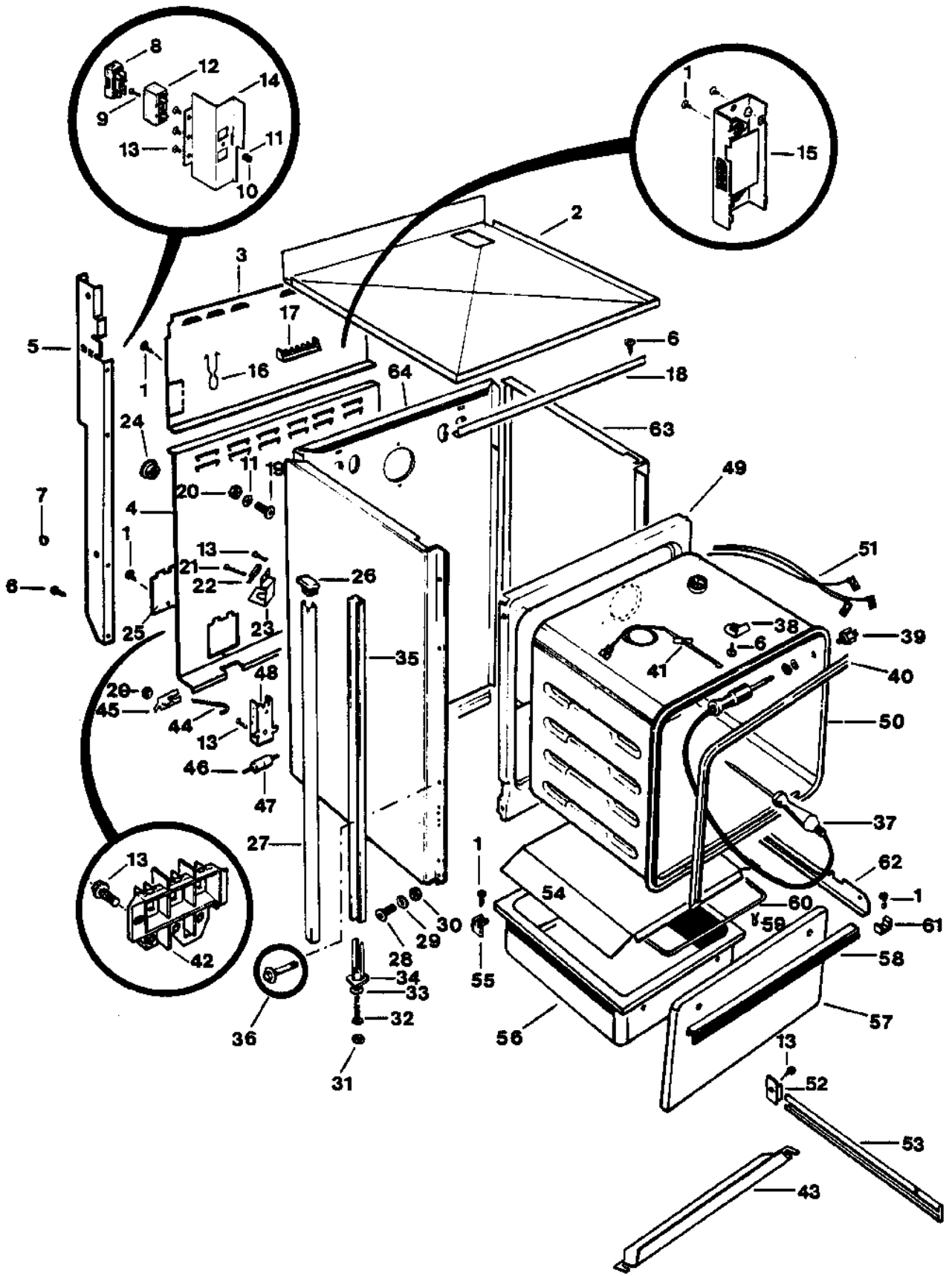




## SINGLE OVEN WITH WARMER DRAWER

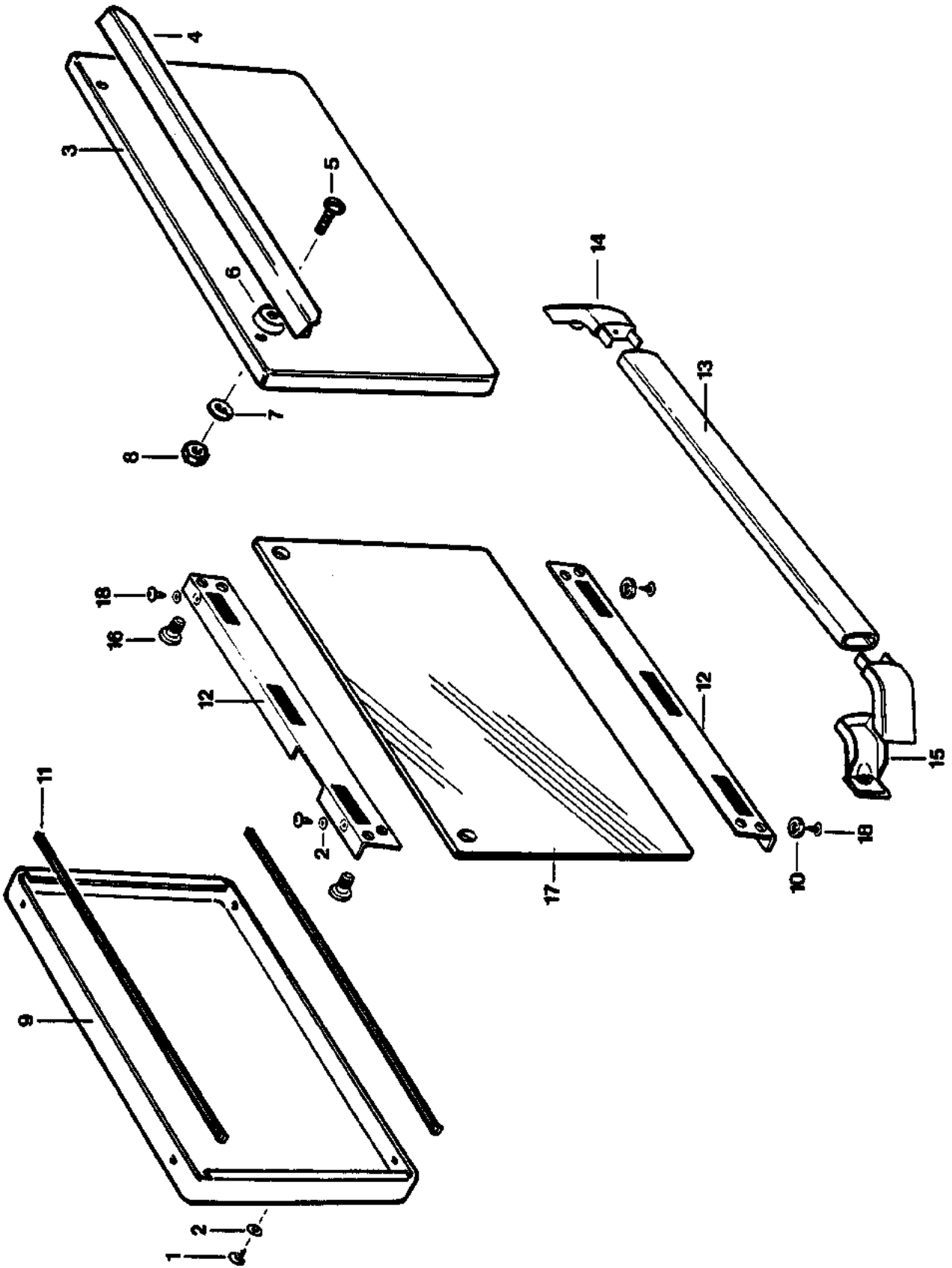
MODELS RA610MTWS, RA610MAWS, RA610PAW, RA610MEWS, RA610MEW,  
RA610AWP, RA610AW, RA610H

REF	PART NO	DESCRIPTION
1	556003	Screw ST 6 x 3/8 T25 PAN PH HS NIP
2	572075	Panel Sub Hob 6106
3	572327	Cover Wiring Splashback Curved
4	572718	Cover Wiring Back 6106
	572884	Cover Wiring Back 610AWP
5	572076	Stanchion Rear LH Curved White
	572077	Stanchion Rear RH Curved White
6	556002	Screw ST 6 x 1/2 TAB HXW PH NIP
7	571297	Plug Stanchion White
8	461189	Fuse Carrier
9	556019	Screw MC M4 HEX FS MS NIPL
10	556019	Nut M4 HEX FS MS NIPL
11	556511	Washer Lock 3/16 EXT SERR ST BLU
12	471156	Fuse Base
13	556012	Screw ST 1024 x 1/2 T23 HXW PH HS
14	572086	Fuse Mounting
15	572117	Controller Power Electronic
16	75243	Clip Element Locking
17	571715	Clip Cable Retainer
18	471884	Bracket Hob Locking Front 610
19	556022	Screw MC M5 x 20 PAN PH MS NIPL
20	556105	Nut M5 HEX FS MS NIPL
21	556015	Screw ST 1024 X 7/8 T23 HXW PH HS
22	74152	Clamp Cable Entry
23	75017	Plate Cable Entry
24	12195	Grommet Wiring
25	354072	Cover Inspection
26	571293	Cap Trim White
27	471973	Trim Cabinet
28	556017	Screw MC M6 x 16 FS HEX MS NIPL
29	556516	Washer Spring 6mm ST ZN PL
30	556107	Nut M6 HEX 10AF FS MS ZN PL
31	572850	Foot Protector M8
32	472059	Foot Levelling M8



REF	PART NO	DESCRIPTION
33	556509	Washer 8.0 x 21.0 x 1.0 MS NIPL
34	471014	Foot Moulding M8
35	471020	Stanchion
36	556046	Screw SD No12 x 20mm HEX ZNPL
37	571644	Probe Meat
38	461017	Trim Seam
39	571645	Socket Probe Meat Diehl 13904-11
40	572633	Gasket Main Oven 1200mm
41	571630	Probe TEM Sensor HY CAL
42	571872	Mains Terminal Block 004-1
43	571460	Bracket Transit Rail
44	461332	Hook Bolt
45	461286	Hook Bolt Washer
46	461592	Axle Roller Plated
47	260080	Roller Cabinet
48	461287	Bracket Wheel Mounting
49	572526	Frame Top Oven Enamel Brown
50	572138	Oven Enamel Brown 6106
	572139	Oven Enamel Brown 6106 Electro
51	571673	Harness Meat Probe
52	75045	Hinge Guide Anchor
53	572045	Hinge Guide
54	572129	Casing Lower Insulation 6106
55	246152	Bearing Rear Drawer Pan
56	572271	Drawer Pan 6106 Brown
57		*Drawer Front Refer Page 28
		*Door Glass LWR Refer Page 28
58		*Handle Warmer Drawer Refer Page 28
59	74123	Clip Element Warmer Drawer
60	471328	Element Warmer Drawer 600W
61	246153	Bearing Front Drawer Slide
62	572107	Slide Drawer LH Pressing
	572108	Slide Drawer RH Pressing
63	572036	Panel Side White
64	572089	Panel Rear

**\*NOTE:** - Used on Model RA610TWS only

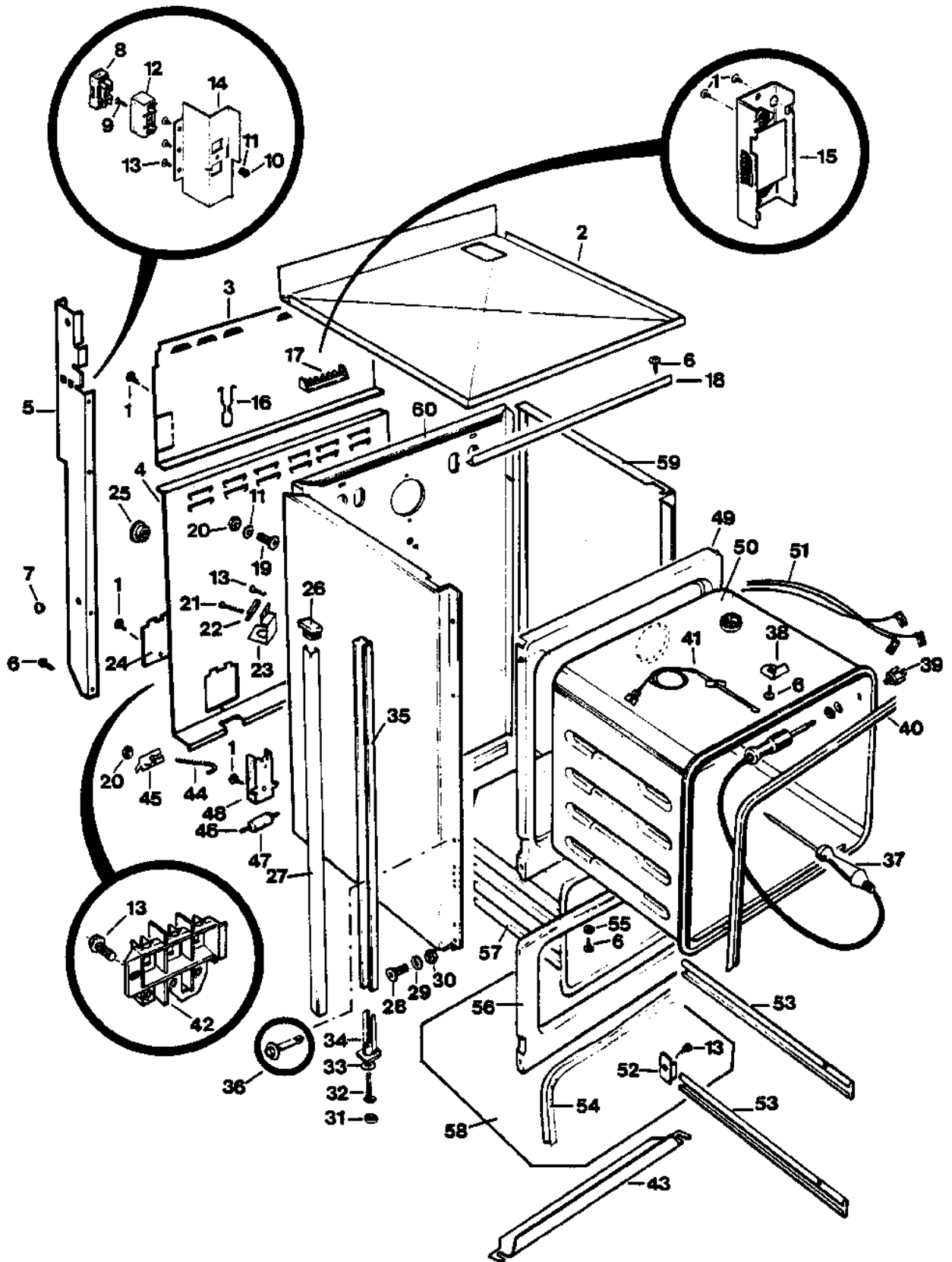


## WARMER DRAWER AREA

MODELS RA610MTWS, RA610AWS, RA610PAW, RA610MEWS, RA610MEW,  
RA610AWP, RA610AW, RA610H

REF	PART NO	DESCRIPTION
1	556002	Screw ST 6 x ½ TAB HXW PH HS NIP
2	556504	Washer 4.0 x 10.0 x 0.4 Fibre
3	571370	Drawer Front White
	572101	Drawer Front Brown
4	572223	Handle Warmer Drawer White – Curved
	572224	Handle Warmer Drawer Brown – Curved
5	556064	Screw MC M5 x 12 MSH SL MS NIPL
*	556024	Screw MC M5 x 16 MSH SL MS NIPL
6	571373	Spacer Handle Square White
	461456	Spacer Handle Square Brown
7	556515	Washer Spring 3/16 ST ZNPL
8	556105	Nut M5 HEX FS MS NIPL
9	572444	Drawer Front Inner Enamel
10	75321	Shield Screw Head
11	572241	Gasket Door 0.590m
12	572093	Bracket Inner Door 6106
13*	572219	Handle Curved 6106 White
14*	572231	End Cap Handle Curved White
15*	572227	Grommet Endcap Curved White
16*	572710	Screw Limit Handle Door
17*	572579	Glass Door LWR 3 Piece Handle White
18	556034	Screw ST 8 x 8 TAB MTS PH HS NIPL

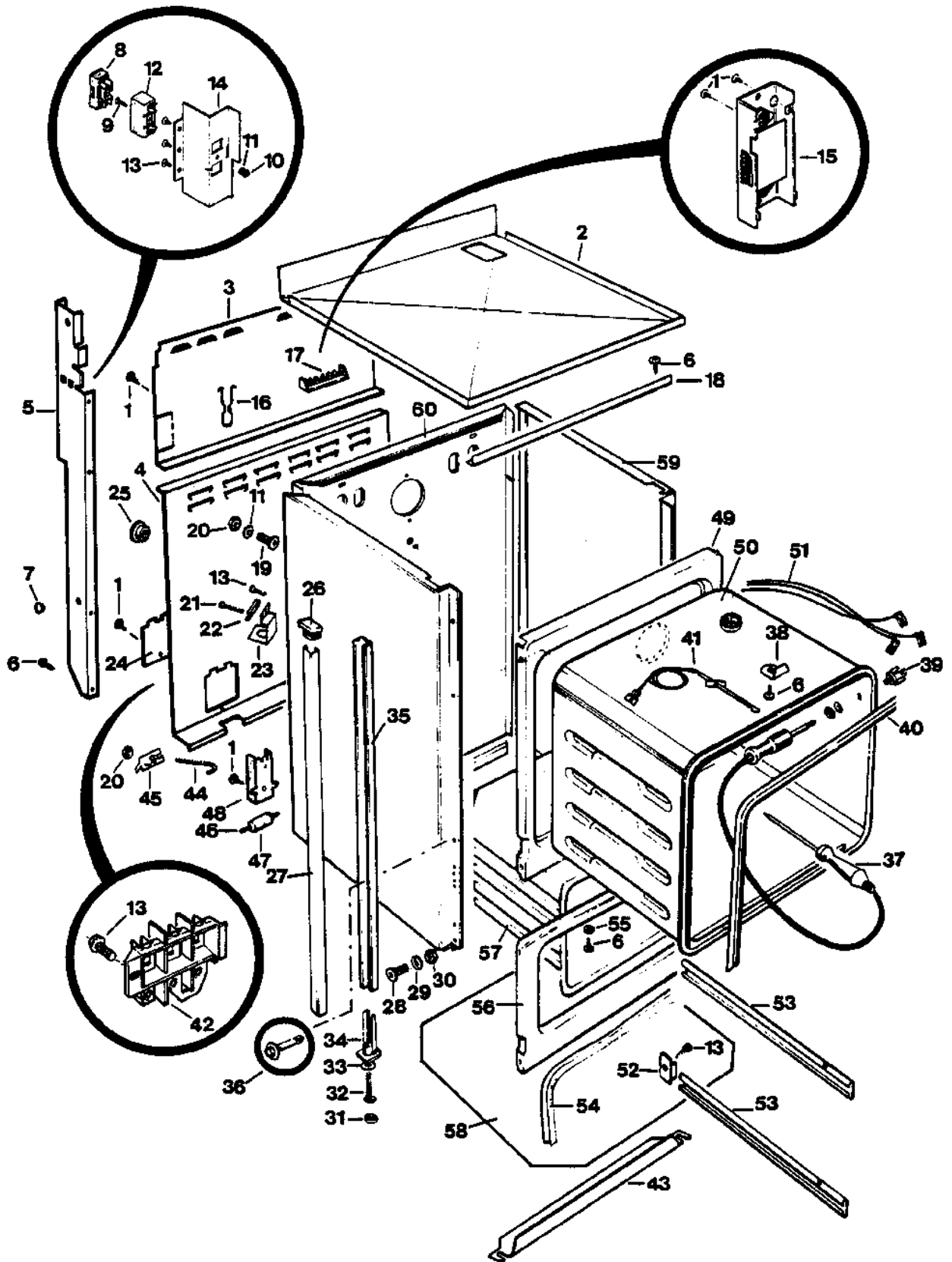
\*Used on Model RA610TWS



## DUAL OVEN AREA

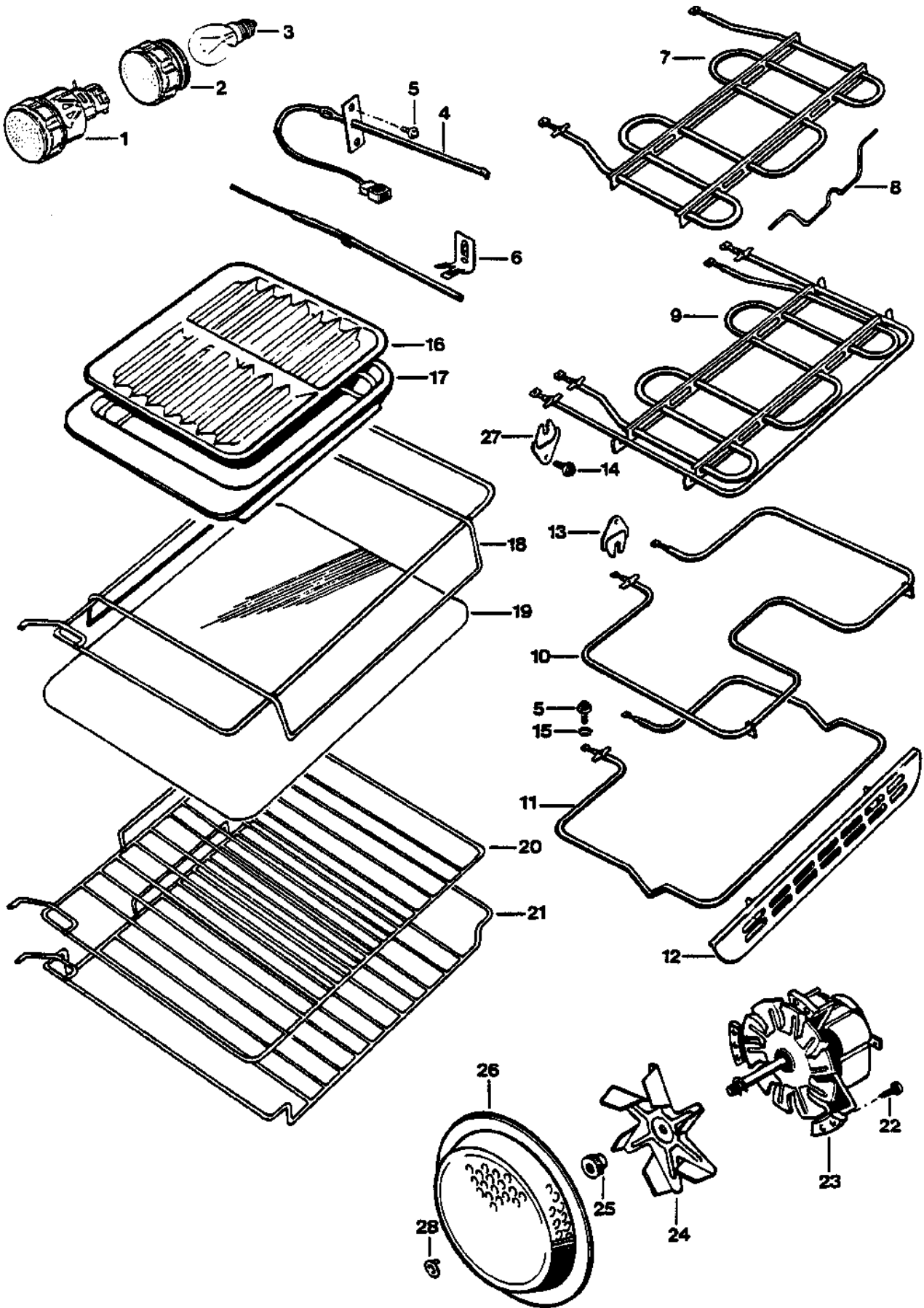
MODELS RA610MTDS, RA610MADS, RA610MAD, RA610MEDS, RA610MED

REF	PART NO	DESCRIPTION
1	556011	Screw ST 8 x 12mm TAB MTS PH HS NIPL
2	572075	Panel Sub Hob 6106
3	572327	Cover Wiring Splashback Curved
4	572718	Cover Wiring Back 6106
5	572076	Stanchion Rear LH Curved White
	572077	Stanchion Rear RH Curved White
6	556002	Screw ST 6 x 1/2 TAB HXW PH HS NIP
7	571297	Plug Stanchion White
8	461189	Fuse Carrier
9	556019	Screw MC M4 x 16 CSK PH MS NIPL
10	556104	Nut M4 HEX FS MS NIPL
11	556511	Washer Lock 3/16 EXT SERB ST BLU
12	471156	Fuse Base
13	556012	Screw ST 1024 x 1/2 T23 HXW PH HS
14	572086	Fuse Mounting
15	572117	Controller Power Electronic
16	74123	Clip Element Lock
17	571077	Clip Cable Retainer
18	471884	Bracket Hob Locking Front 610
19	556022	Screw MC M5 x 20 PAN PH MS NIPL
20	556105	Nut HEX FS MS NIPL
21	556015	Screw ST 1024 x 7/8 T23 HXW PH HS
22	74152	Clamp Cable Entry
23	75017	Plate Cable Entry
24	354072	Cover Inspection
25	12195	Grommet Wiring
26	571293	Cap Trim White
27	471973	Trim Cabinet
28	556017	Screw ST MC M6 x 16mm ST ZNPL
29	556516	Washer Spring 6MM ST ZNPL
30	556107	Nut M6 HEX 10AF FS MS ZNPL
31	572850	Foot Protector
32	473059	Foot Leveling M8





<b>REF</b>	<b>PART NO</b>	<b>DESCRIPTION</b>
33	556509	Washer 8.0 21.0 1.0 MS NIPL
34	471014	Foot Moulding M8
35	471020	Stanchion
36	556046	Screw SD NO 12 x 20mm HEX ZN PL
37	571644	Probe Meat
38	461017	Trim Seam
39	571645	Socket Meat Probe
40	572633	Gasket Main Oven 1200MM
41	571630	Temperature Sensor
42	571872	Mains Terminal Block 004-1
43	571460	Bracket Transit Rail
44	461332	Hook Bolt
45	461286	Hook Bolt Washer
46	461592	Axle Roller Plated
47	260080	Roller Cabinet
48	461287	Bracket Wheel Mounting
49	572526	Frame Top Oven Enamel
50	572138	Oven Enamel DK Brown 6106
	572139	Oven Enamel DK Brown 6106 Electronic
51	571673	Harness Meat Probe
52	75045	Hinge Guide Anchor
53	572045	Hinge Guide
54	471035	Gasket Lower Oven 810MM
55	556503	Washer 3/16 1/2 20BG MS NIPL
56	572527	Frame Lower Oven Enamel
57	572281	Oven Lower Enamel DK Brown
	572336	Oven Lower Enamel DK Brown Electronic
58	572283	Cover Insulation LWR Oven
59	572036	Panel Side
60	572089	Panel Rear



## ACCESSORIES

**MODELS RA610MTDS, RA610MTWS, RA610MADS, RA610MAWS, RA610MAD, RA610PAW, RA610MEDS, RA610MEWS, RA610MED, RA610MEW, RA610AWP, RA610AW, RA610H**

1	571909	Lamp Assy Oven
2	761001	Glass Cover
3	404000	Lamp 40W/240V SES
4	571630	Probe Temp Sensor HY CAL
5	556002	Screw ST 6 x 1/2 TAB HXW PH HS NIP
6	471651	Clip Thermostat Tube 3MM
7	572396	Element Assy Grill & Bridge Elect
8	572203	Hanger Element Mounting
9	572020	Element Assy Grill/Bake Assist
10	572015	Element Assy Bake 6106
11	572860	Element Assy LWR OVEN
12	572278	Guard Element Enamel Brown
13	461369	Retainer Element micro Tube
14	556018	Screw MC M4X8 HEX PH MS NIPL
15	556513	Washer Lock 5/32 EXT SERB ST BLU
16	572524	Grill Plate Enamel Brown
17	572523	Grill Dish Enamel Brown
18	471344	Rack Grill Plated
19	572023	Tray Oven 610
20	461417	Rack Bake Plated
21	461484	Rack Lower Oven Plated
22	556037	Screw ST 8 x 5/8 TAB PAN PH SER NIPL
23	572063	Motor Fan
24	471532	Blade Fan
25	471533	Nut Lock Fan
26	572525	Shroud Fan Brown
27	244070	Retainer Element 3/8
28	471426	Plug Oven
NI	872885	Card Sales Registration
NI	571972	Card Warranty
NI	572672	Book Use & Care Multifunction